



# Pressure Control Valve (PCV)

---

## INTRODUCTION

The Pressure Control Valve (PCV) is designed to control the opening status of the valve and as a result, the pressure. The outlet pressure is monitored in a specific chamber and the setting for the outlet pressure is adjustable.

## CONNECTORS

There are a number of different connection options available like flanges and hose connectors.

## SPRING PACKAGE

There are two different spring packages. Standard spring package is for low pressure, low flow. Big Spring package is for high outlet pressure and high flow or Low DP with high flow. FireProducts will suggest the correct spring package based on your required flow / pressure.

## FLOW

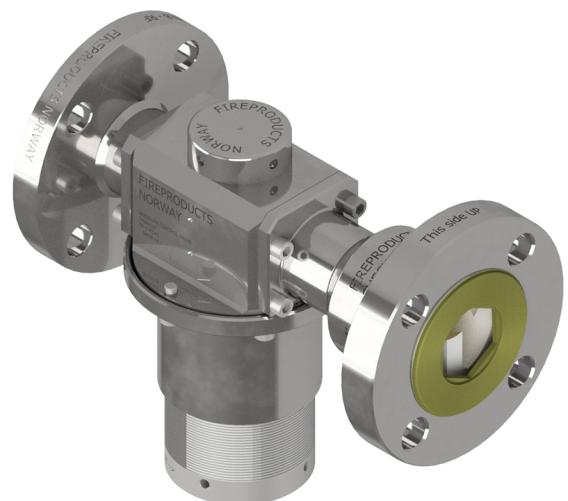
If the flow is interrupted and there becomes zero flow, the pressure can increase to approx 10 bar

## CHECK VALVE OPTION

The valve can be delivered with check valve option on the outlet connection.

## FLEXIBLE DESIGN

The Pressure Control Valve (PCV) from Fireproducts has a very flexible design. Flanges, Hose connectors etc can be installed on the inlet or outlet of the valve.





◀ Pressure Control Valve (PCV)

TECHNICAL DATA

INLET PRESSURE

Pressure adjusting range	
Normal spring	6-9 Bar
LPI(low pressure spring)	4-6 Bar
Maximum inlet pressure	20 Bar
Kv	16,5[m <sup>3</sup> /h]
Applied fluid	Sea or fresh water
PCV Body size	1 1/2"

APPROVAL / TEST

The valve are tested according to EN12266-1  
 Shell test : 1,5 x PN = 30 Bar  
 Seat test : 1,1 x PN = 22 Bar

ATEX-Directivce  
 According to Article 1,4 of Directive 94/9/EC paragraph 5.2.1 FireProducts has concluded that the this product does not require ATEX approval.

MATERIAL

Wetted parts

- Titanium
- Super Duplex
- SS316
- LG2 Bronze LG2

Dry parts

- Spring cover SS316
- Spring support SS316
- Bolts SS316
- Gaskets NBR
- Diaphragm NBR
- Spring Chrome Spring steel





## ◀ Pressure Control Valve (PCV)

### ORDERING INFORMATION

The ordering code is built up according to the following:

FP-V-PCV1-01-02-03-04

- FP Fireproducts
- V Main category: Valve
- PCV1 Pressure Control Valve

### 01 MATERIAL ON WETTED PARTS

- TI Titanium
- LG2 Bronze LG2
- SD Super Duplex steel
- SS316 Stainless steel

### 02 INLET CONNECTION

- FL1LB150 Flange ANSI 1" ANSI 150 lb
- FL1LB150CC Flange ANSI 1" ANSI 150 lb With 1/2" NPTF Connector
- FL1,5LB150 Flange ANSI 1 1/2" ANSI 150 lb
- FL1,5LB150CC Flange ANSI 1 1/2" ANSI 150 lb With 1/2" NPTF Connector
- FL2LB150 Flange ANSI 2" ANSI 150 lb
- FL2LB150CC Flange ANSI 2" ANSI 150 lb With 1/2" NPTF Connector

- HC1 Hose connector 1" hose
- HC1PG Hose connector 1" hose with pressure gauge connector ( 1/4" NPTF )
- HC1,25 Hose connector 1,25" hose
- HC1,25PG Hose connector 1,25" hose with pressure gauge connector ( 1/4" NPTF )
- 1BSPM Threaded 1" BSPM
- 1NPTM Threaded 1" NPTM
- 1,5BSPM Threaded 1,5" BSPM
- 1,5NPTM Threaded 1,5" NPTM
- 2BSPM Threaded 2" BSPM
- 2NPTM Threaded 2" NPTM
- 1BSPF Threaded 1" BSPF
- 1NPTF Threaded 1" NPTF
- 1,5BSPF Threaded 1,5" BSPF
- 1,5NPTF Threaded 1,5" NPTF
- 2BSPF Threaded 2" BSPF
- 2NPTF Threaded 2" NPTF



fireproducts



◀ Pressure Control Valve (PCV)

03 OUTLET CONNECTION TYPE.

- FL1LB150 Flange ANSI 1" ANSI 150 lb
- FL1LB150CC Flange ANSI 1" ANSI 150 lb With 1/2" NPTF Connector
- FL1LB150CH Flange ANSI 1" ANSI 150 lb With check valve function
- FL1,5LB150 Flange ANSI 1 1/2" ANSI 150 lb
- FL1,5LB150CC Flange ANSI 1 1/2" ANSI 150 lb With 1/2" NPTF Connector
- FL1,5LB150CH Flange ANSI 1 1/2" ANSI 150 lb With check valve function
- FL2LB150 Flange ANSI 2" ANSI 150 lb
- FL2LB150CC Flange ANSI 2" ANSI 150 lb With 1/2" NPTF Connector
- FL2LB150CH Flange ANSI 2" ANSI 150 lb With check valve function
- HC1 Hose connector 1" hose
- HC1PG Hose connector 1" hose with pressure gauge connector ( 1/4" NPTF )
- HC1,25 Hose connector 1,25" hose
- 1,5NPTF Threaded 1,5" NPTF
- 2BSPF Threaded 2" BSPF
- 2NPTF Threaded 2" NPTF
- 1,5BSPF Threaded 1,5" BSPF

- HC1,25PG Hose connector 1,25" hose with pressure gauge connector ( 1/4" NPTF )
- 1BSPM Threaded 1" BSPM
- 1NPTM Threaded 1" NPTM
- 1,5BSPM Threaded 1,5" BSPM
- 1,5NPTM Threaded 1,5" NPTM
- 2BSPM Threaded 2" BSPM
- 2NPTM Threaded 2" NPTM
- 1BSPF Threaded 1" BSPF
- 1NPTF Threaded 1" NPTF

04 OPTION

(Can choose multiple options)

- NO Norsok approved Titanium gr2 According to M650.
- RAL3020 Powder paint color code RAL 3020 ( other colors upon request )
- LPI Low Pressure Inlet. Range (4-6 Bar)



## ◀ Pressure Control Valve (PCV)

### TECHNICAL DRAWINGS

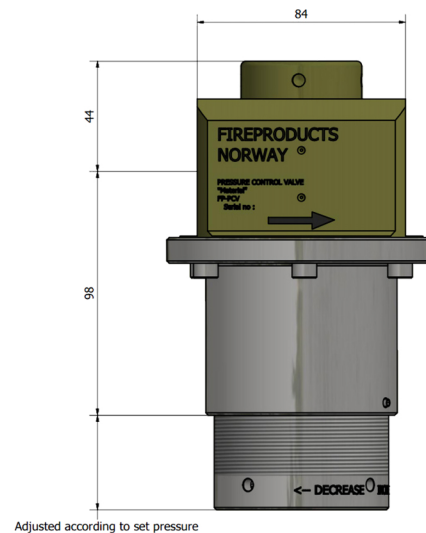
Note : All dimensions are in mm.  
 3D drawing is available upon request.  
 Pressure Control valve without any connectors, with standard spring package

Total width of the products can be calculated as follow:  
 Total width = 84 mm + Length of inlet + Length of outlet  
 The total length can vary +/- 2mm.

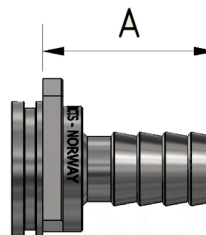
### Connector type / Length "A"

• FL1LB150	42 mm or 59 mm
• FL1LB150CC	108 mm
• FL1LB150CH	108 mm
• FL1,5LB150	46 mm
• FL1,5LB150CC	108 mm
• FL1,5LB150CH	108 mm
• FL2LB150	69 mm
• FL2LB150CC	108 mm
• FL2LB150CH	108 mm
• HC1	60 mm
• HC1PG	110 mm
• HC1,25	60 mm
• HC1,25PG	110 mm
• 1BSPM	54 mm
• 1NPTM	54 mm
• 1,5BSPM	54 mm
• 1,5NPTM	54 mm
• 2BSPM	70 mm
• 2NPTM	70 mm
• 1BSPF	32 mm
• 1NPTF	32 mm
• 1,5BSPF	35 mm

- 1,5NPTF 35 mm
- 2BSPF 40 mm
- 2NPTF 40 mm



Adjusted according to set pressure



Fireproducts AS  
 Holskogveien 48  
 4624 Kristiansand, Norway

Office +00 73 09 99 47  
 E-mail sales@fireproducts.no

[www.fireproducts.no](http://www.fireproducts.no)