



Pressure Control Valve

Catalog : FP-V-PCV1  
Edition : JAN 2020

## INTRODUCTION

The Pressure Control Valve (PCV) is designed to control the opening status of the valve and as a result, the pressure. The outlet pressure is monitored in a specific chamber and the setting for the outlet pressure is adjustable.

### Flexible design

The PCV is built up around a main body with a various connectors that can be attached with bolts.

### Connectors

There are a number of different connection options available like flanges and hose connectors.

### Spring package

There are two different spring packages. Standard spring package is for low pressure, low flow. Big Spring package is for high outlet pressure and high flow or Low DP with high flow. FireProducts will suggest the correct spring package based on your required flow / pressure.

### Flow

If the flow is interrupted and there becomes zero flow, the pressure can increase to approx 10 bar.

## Check valve option

The valve can be delivered with check valve option on the outlet connection.

## Flexible design

The Pressure Control Valve (PCV) from FireProducts has a very flexible design. Flanges, Hose connectors etc can be installed on the inlet or outlet of the valve.



## TECHNICAL DATA

### Inlet pressure:

Pressure adjusting range :

Normal spring	6-9 Bar
LPI(low pressure spring)	4-6 Bar
Maximum inlet pressure	20 Bar
Kv	16,5[m <sup>3</sup> /h]
Applied fluid	Sea or fresh water
PCV Body size	1 ½"

### Material:

Wetted parts :

- Titanium
- Super Duplex
- SS316
- LG2 Bronze LG2

### Dry parts:

Dry parts :

- |                  |                     |
|------------------|---------------------|
| • Spring cover   | SS316               |
| • Spring support | SS316               |
| • Bolts          | SS316               |
| • Gaskets        | NBR                 |
| • Diaphragm      | NBR                 |
| • Spring         | Chrome Spring steel |

### Approval / Test:

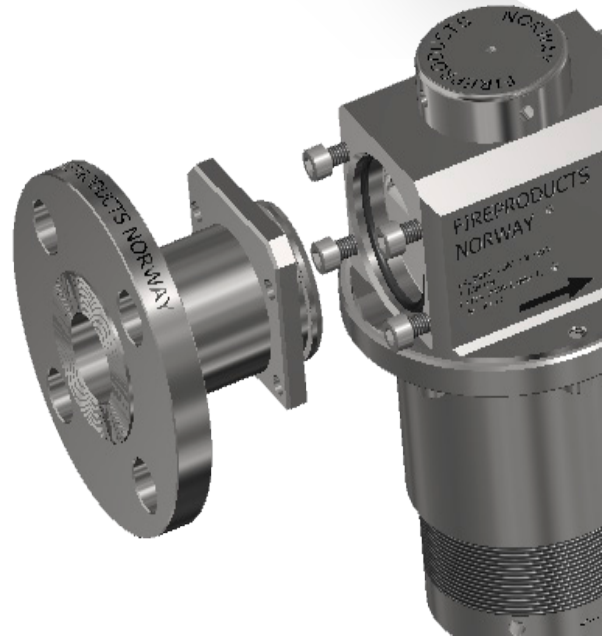
The valve are tested according to EN12266-1

Shell test : 1,5 x PN = 30 Bar

Seat test : 1,1 x PN = 22 Bar

ATEX-Directive

According to Article 1,4 of Directive 94/9/EC paragraph 5.2.1 FireProducts has concluded that the this product does not require ATEX approval.



# ORDERING INFORMATION

The ordering code is built up according to the following:

## FP-V-PCV1-01-02-03-04

- FP FireProducts
- V Main category: Valve
- PCV1 Pressure Control Valve

### 01 Material on wetted parts

- TI Titanium
- LG2 Bronze LG2
- SD Super Duplex steel
- SS316 Stainless steel

### 02 Inlet connection

- FL1LB150 Flange ANSI 1" ANSI 150 lb
- FL1LB150CC Flange ANSI 1" ANSI 150 lb With 1/2" NPTF Connector
- FL1,5LB150 Flange ANSI 1 1/2" ANSI 150 lb
- FL1,5LB150CC Flange ANSI 1 1/2" ANSI 150 lb With 1/2" NPTF Connector
- FL2LB150 Flange ANSI 2" ANSI 150 lb
- FL2LB150CC Flange ANSI 2" ANSI 150 lb With 1/2" NPTF Connector
- HC1 Hose connector 1" hose
- HC1PG Hose connector 1" hose with pressure gauge connector ( 1/4" NPTF )
- HC1,25 Hose connector 1,25" hose
- HC1,25PG Hose connector 1,25" hose with pressure gauge connector ( 1/4" NPTF )
- 1BSPM Threaded 1" BSPM
- 1NPTM Threaded 1" NPTM
- 1,5BSPM Threaded 1,5" BSPM
- 1,5NPTM Threaded 1,5" NPTM
- 2BSPM Threaded 2" BSPM
- 2NPTM Threaded 2" NPTM
- 1BSPF Threaded 1" BSPF
- 1NPTF Threaded 1" NPTF
- 1,5BSPF Threaded 1,5" BSPF
- 1,5NPTF Threaded 1,5" NPTF
- 2BSPF Threaded 2" BSPF
- 2NPTF Threaded 2" NPTF

### 03 Outlet connection type.

- FL1LB150 Flange ANSI 1" ANSI 150 lb
- FL1LB150CC Flange ANSI 1" ANSI 150 lb With 1/2" NPTF Connector
- FL1LB150CH Flange ANSI 1" ANSI 150 lb With check valve function
- FL1,5LB150 Flange ANSI 1 1/2" ANSI 150 lb
- FL1,5LB150CC Flange ANSI 1 1/2" ANSI 150 lb With 1/2" NPTF Connector
- FL1,5LB150CH Flange ANSI 1 1/2" ANSI 150 lb With check valve function
- FL2LB150 Flange ANSI 2" ANSI 150 lb
- FL2LB150CC Flange ANSI 2" ANSI 150 lb With 1/2" NPTF Connector
- FL2LB150CH Flange ANSI 2" ANSI 150 lb With check valve function
- HC1 Hose connector 1" hose
- HC1PG Hose connector 1" hose with pressure gauge connector ( 1/4" NPTF )
- HC1,25 Hose connector 1,25" hose
- HC1,25PG Hose connector 1,25" hose with pressure gauge connector ( 1/4" NPTF )
- 1BSPM Threaded 1" BSPM
- 1NPTM Threaded 1" NPTM
- 1,5BSPM Threaded 1,5" BSPM
- 1,5NPTM Threaded 1,5" NPTM
- 2BSPM Threaded 2" BSPM
- 2NPTM Threaded 2" NPTM
- 1BSPF Threaded 1" BSPF
- 1NPTF Threaded 1" NPTF
- 1,5BSPF Threaded 1,5" BSPF
- 1,5NPTF Threaded 1,5" NPTF
- 2BSPF Threaded 2" BSPF
- 2NPTF Threaded 2" NPTF

### 04 Option

(Can choose multiple options)

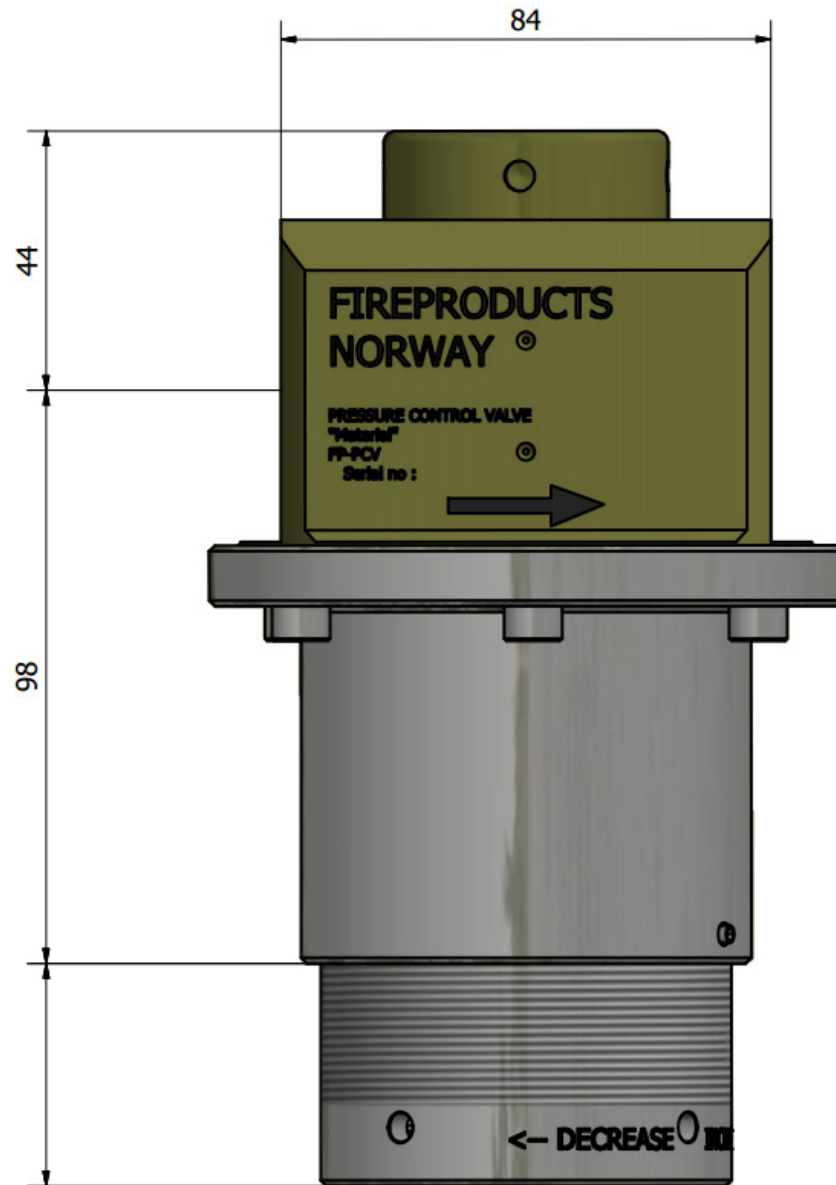
- NO Norsok approved Titanium gr2 According to M650.
- RAL3020 Powder paint color code RAL 3020 ( other colors upon request )
- LPI Low Pressure Inlet. Range (4-6 Bar)

## TECHNICAL DRAWINGS

Note : All dimensions are in mm.

3D drawing is available upon request.

Pressure Control valve without any connectors, with standard spring package



Adjusted according to set pressure



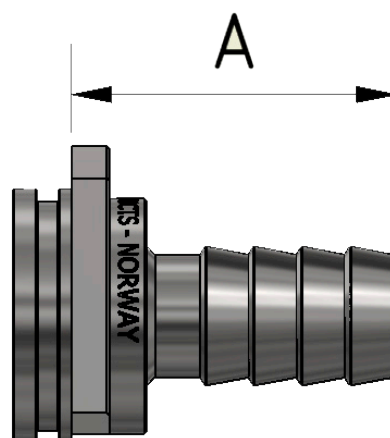
## TECHNICAL DRAWINGS

Note : All dimensions are in mm.

Total width of the products can be calculated as follow:  
Total width = 84 mm + Length of inlet + Length of outlet  
The total length can vary +/- 2mm.

Connector type / Length "A"

FL1LB150	42 mm or 59 mm
FL1LB150CC	108 mm
FL1LB150CH	108 mm
FL1,5LB150	46 mm
FL1,5LB150CC	108 mm
FL1,5LB150CH	108 mm
FL2LB150	69 mm
FL2LB150CC	108 mm
FL2LB150CH	108 mm
HC1	60 mm
HC1PG	110 mm
HC1,25	60 mm
HC1,25PG	110 mm
1BSPM	54 mm
1NPTM	54 mm
1,5BSPM	54 mm
1,5NPTM	54 mm
2BSPM	70 mm
2NPTM	70 mm
1BSPF	32 mm
1NPTF	32 mm
1,5BSPF	35 mm
1,5NPTF	35 mm
2BSPF	40 mm
2NPTF	40 mm





**FIREPRODUCTS AS**

Holskogveien 48  
4624 Kristiansand  
Norway

Tel: +47 99 09 73 00  
[post@fireproducts.no](mailto:post@fireproducts.no)  
[www.fireproducts.no](http://www.fireproducts.no)